

# 3U RACK HANDLE

## SPECIFICATIONS:

### HANDLES

DESCRIPTION: EIA-310 compliant 3U rack handle with captive screws to secure enclosure to rack  
 MATERIAL: Bayer Bayblend PC/ABS polymer  
 RATED STRENGTH: 100lbs per handle, straight pull  
 FLAMMABILITY: NEBS compliant UL94 V-0, IEC 60335-1  
 ECOLABELS: RoHS, Blue Angel, Nordic Swan, TCO, WEEE, EU Flower, 1% for the Planet

### CAPTIVE SCREWS

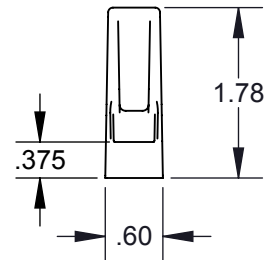
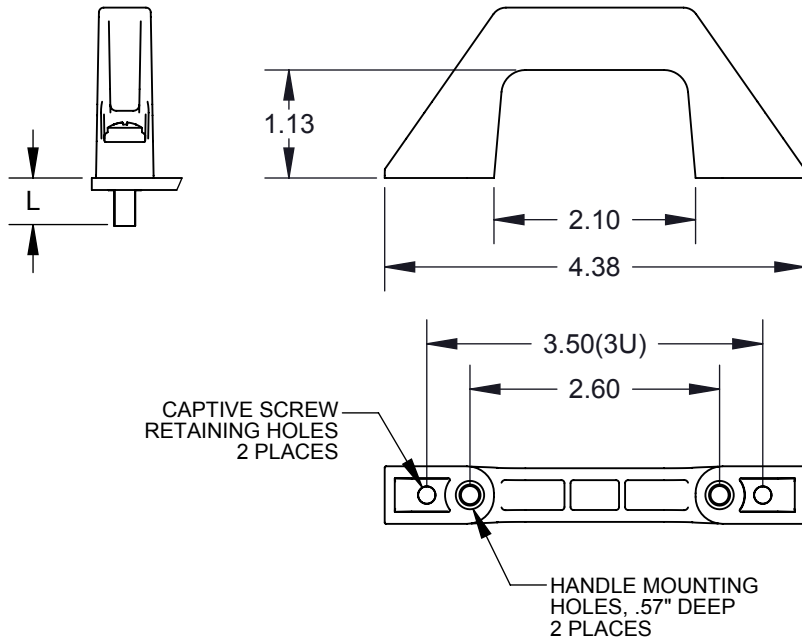
DESCRIPTION: ANSI #10-32 captive phillips pan head or socket head cap screw  
 MATERIAL: 18-8 stainless steel

### MOUNTING SCREWS

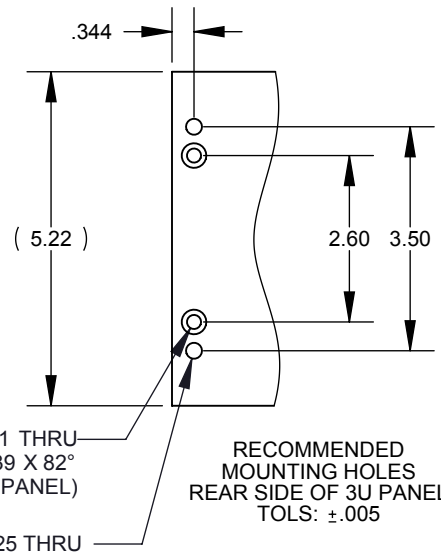
DESCRIPTION: #10-14x5/8" flat head plastite thread forming  
 MATERIAL: zinc plated steel

### SCOPE OF SUPPLY

The kit part number includes 2 handles, 4 mounting screws and 4 captive screws packaged with mounting instructions.



DIMENSIONS IN INCHES  
 TOLS: ± .01



| KIT PART NUMBERS |             |       |           |
|------------------|-------------|-------|-----------|
| PANEL THICKNESS  | SCREW STYLE | "L"   | PART NO.  |
| .059-.090"       | PHIL PN HD  | .435" | 3003-059  |
| .100-.134"       | PHIL PN HD  | .485" | 3003-100  |
| .160-.190"       | PHIL PN HD  | .535" | 3003-160  |
| .375 ± .015"     | SOC HD CAP  | .750" | 3003-375S |

Part numbers shown ensure complete screw engagement with tapped or cage-nut style rack rails. For dedicated tapped rail applications a shorter screw may be used. Example: 3003-059 will work with a .125" panel and tapped rails.

